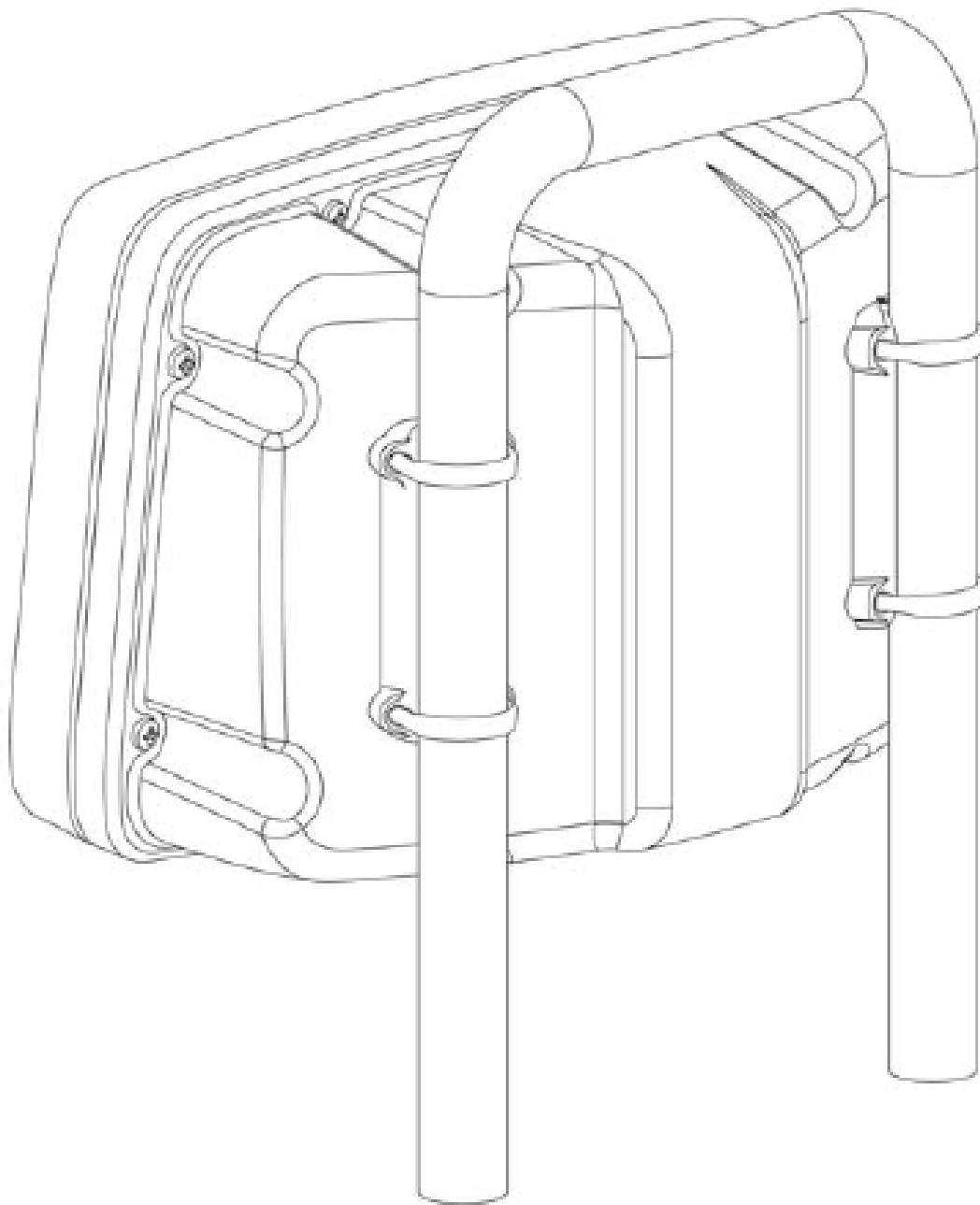


# Helm Pod Installation Instructions



## Parts List

Short Saddle Pack SPH-8 60042	x2	Long Saddle Pack SPH-12,15,SYSTEM 60043	x2	Pod Back	60541
1x 1905PH3		2x 1905PH3			
1x 105PSADDLE - S		1x 105PSADDLE - L			
1x 1905PH4		2x 1905PH4		Pod Front	60545
2x 60453		3x 60453			
4x 60452		6x 60452			
4x 60547		6x 60547			
					x8
					x1
					x8

## Tools Required

	Jigsaw/Spiral Saw
	Hole Saw ø25mm (1")
	Power drill
	Posidriv No. 3 Screwdriver
	Drill Bit ø9.5mm (3/8")
	Socket Wrench + Extension
	13mm Socket

89400423 used on all illustrations

