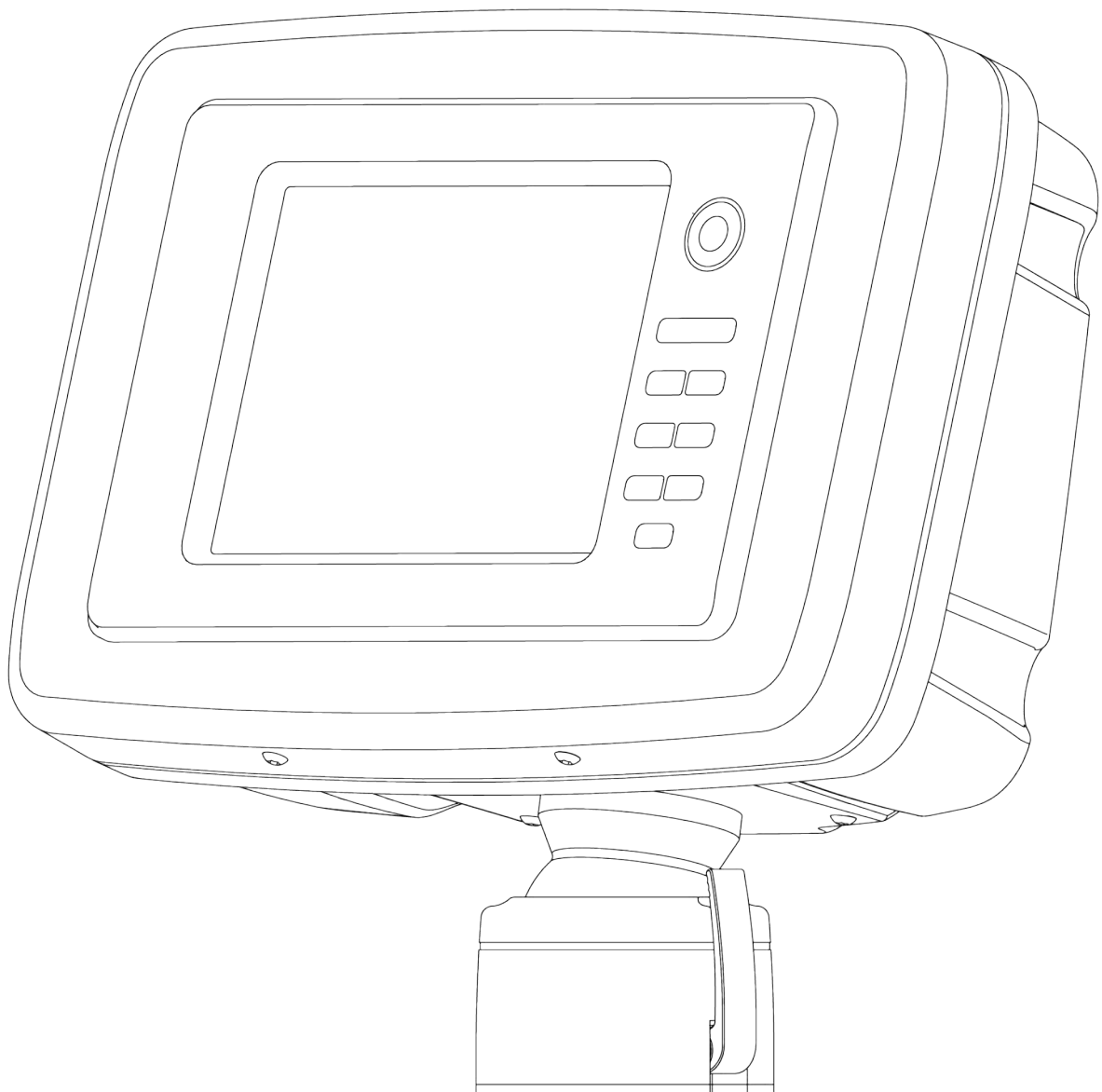
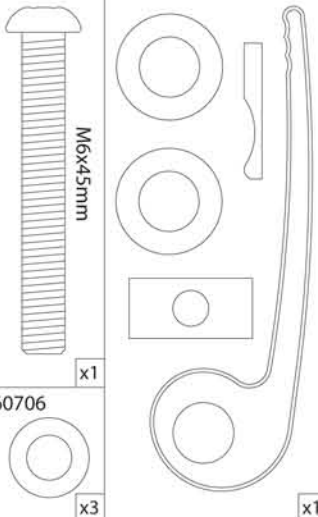
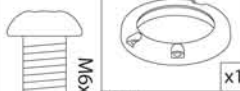
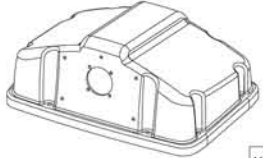












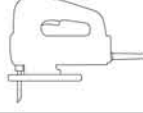
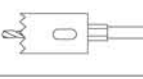

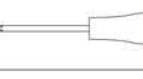


Deck Pod Installation Instructions



Parts List

620645 Lever Components  M6x45mm x1	60540 Top  M6x20mm x1	Pod Back  x1	60541  x8
60706  x3	Ball  x2	Pod Front  x1	
	Base Cup  x1		
	Bracing Plate  x1	60546  x7	60514 M5x12mm  x6
		60513 M5x8mm  x5	60545  x8

Tools Required

	Jigsaw/Spiral Saw
	Hole Saw ø50-52mm (2")
	Power drill
	Posidriv No. 3 Screwdriver
	4mm Allen Key
	3mm Allen Key

