



Ultra Low Profile Hatch Installation and Owner's Manual

(For Aftermarket Applications)

To be retained in owner's manual for future reference.

Table of Contents

Introduction	2
Safety	2
Resources Required	3
Installation	3
Operation	5
Friction Lever	5
Adjusting Friction Levers	5
Maintenance	6
Parts	6
External Handle Options	6
Emergency Exit Requirements	6
Limited Warranty and Key Terms of Supply by Lewmar	8

Lewmar Ultra Low Profile Hatch Kits

Brand	Size	Dimensions (Length x Width)	Exterior Handle Option
Lewmar	10	12 3/4" x 12 3/4"	No
	20	10 1/2" x 16 3/16"	No
	30	15 3/8" x 20 1/2"	Yes
	40	19 1/8" x 19 1/8"	Yes
	41	9 11/16" x 19 15/16"	No
	44	20 1/16" x 20 1/16"	Yes
	50	17 1/2" x 22 5/8"	Yes
	54	18 1/8" x 22 5/8"	Yes
	60	22 5/8" x 22 5/8"	Yes
Bomar	70	27 5/16" x 27 5/16"	Yes
	927	20 3/8" x 15 1/8"	Yes
	966	19 1/8" x 19 3/8"	Yes
	995	22 1/16" x 22 5/16"	Yes
	1011	16 13/16" x 11 9/16"	No
	1022	24 9/16" x 24 9/16"	Yes
	1029	20 5/8" x 15 13/16"	Yes
	1039	22 5/8" x 15 13/16"	Yes
	1070	19" x 19"	Yes
	1080	20 1/8" x 19 15/16"	Yes
1086	22 11/16" x 19 15/16"	Yes	

Ultra Low Profile Hatch Installation and Owner's Manual (For Aftermarket Applications)

Introduction

Thank you for choosing Lewmar®. Lewmar products are world renowned for their quality, technical innovation and proven performance. With a Lewmar product you will be provided with many years of outstanding service.

Ultra Low Profile hatches are for use on decks and coachroofs of yachts in accordance with ISO/DIS 12216.2(E), DESIGN CAT "A", AREAS IIa, III and IV. Modification of the hatch by the fitting of vents etc. will invalidate the compliance with this standard.

Additional information about this product can be obtained from lci1.com/support or by using the LippertNOW app. Replacement kits can be ordered from

<https://store.lci1.com/> or by using the LippertNOW app.

The LippertNOW app is available for free on Apple App Store® for iPhone® and iPad® and also on Google Play™ for Android™ users.

App Store® and iPad® are registered trademarks of Apple Inc.

Google Play™ and Android™ are trademarks of Google Inc.

Safety

Read and fully understand all instructions before installing or operating this product. Adhere to all safety labels.

This manual provides general instructions. Many variables can change the circumstances of the instructions, i.e., the degree of difficulty, operation and ability of the individual performing the instructions. This manual cannot begin to plot out instructions for every possibility, but provides the general instructions, as necessary, for effectively interfacing with the device, product or system. Failure to correctly follow the provided instructions may result in death, serious personal injury, severe product and/or property damage, including voiding of the Lippert limited warranty

CAUTION

THE "CAUTION" SYMBOL ABOVE IS A SIGN THAT A PROCEDURE HAS A SAFETY RISK INVOLVED AND MAY CAUSE PERSONAL INJURY OR PRODUCT AND/OR PROPERTY DAMAGE IF NOT PERFORMED SAFELY WITHIN PARAMETERS SET FORTH IN THIS MANUAL.

CAUTION

ALWAYS WEAR APPROPRIATE PERSONAL PROTECTIVE EQUIPMENT (PPE) WHEN PERFORMING SERVICE, MAINTENANCE OR INSTALLATION PROCEDURES.

WARNING

THE "WARNING" SYMBOL ABOVE IS A SIGN THAT A PROCEDURE HAS A SAFETY RISK INVOLVED AND MAY CAUSE DEATH, SERIOUS PERSONAL INJURY OR SEVERE PRODUCT AND/OR PROPERTY DAMAGE IF NOT PERFORMED SAFELY WITHIN PARAMETERS SET FORTH IN THIS MANUAL.

Resources Required

- Cordless or electric drill or screw gun
- Socket wrench
- 12 M5 fasteners (see Pg. 4)
- 5/32" drill bit for wooden deck, or 13/64" drill bit for GRP or steel deck
- Appropriate drive bits
- Reciprocating saw or jigsaw
- Non-permanent method of marking
- Marine UV stable sealant (Sika 295 UV or similar)

Installation

⚠ CAUTION

DO NOT OPEN AND CLOSE THE HATCH MORE THAN NECESSARY UNTIL THE LOWER FRAME IS SECURELY MOUNTED. DO NOT OVEREXTEND THE HINGES IN THE OPEN POSITION.

⚠ CAUTION

DO NOT REMOVE THE HATCH LID WHEN INSTALLING THE HATCH. DOING SO MAY COMPROMISE THE HATCH'S WATERTIGHT SEAL.

Ultra Low Profile hatches should be fitted to a flat surface with a maximum flatness tolerance of +/- 1 mm and a deck / hull thickness of at least 15 mm (5/8"). Check that all fasteners will be clear of deck molding radii or other irregularities. Allow clearance for lid opening.

1. Mark the deck with a non-permanent marking method around the outside of the lower frame flange (Fig. 1A). If trims are fitted, make allowance for their thickness.

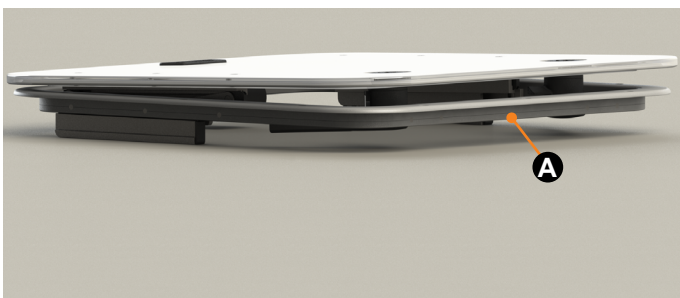


Fig.1

NOTE: When fitting multiple hatches, it is recommended to prepare a template.

2. Cut a hole in the deck along marked outline using a jigsaw or reciprocating saw. If the deck is of composite construction, it is recommended that the exposed laminate be sealed with a marine sealant before fitting the hatch. Openings cut in metal decks should have all burrs and sharp edges removed. It is recommended that the lower frame of the hatch be suitably insulated from the deck if there is a possibility of electrolytic corrosion.

NOTE: Hatches should not be considered as stiffening members. Lippert recommends that the deck be adequately stiffened to prevent distortion during heavy weather.

3. Place the frame into the opening and mark the fastener locations on the deck.

4. Remove the hatch from the opening and drill pilot holes at the marked locations.

NOTE: To avoid damage to the hatch, do not leave the hatch in the opening when drilling pilot holes.

5. Apply a min. 3 mm thick bead of bedding compound to the channel in the lower frame (Fig. 2A). The bedding compound must have good adhesive qualities, be of a suitable grade for marine sealing applications, and be compressible to allow the lower frame to be pulled tight against the deck by the fasteners.



Fig.2

Ultra Low Profile Hatch

Installation and Owner's Manual

(For Aftermarket Applications)

6. Insert the hatch into the deck and secure with fasteners at the corners (Fig. 3A) See the table below for recommended fastener types.

NOTE: It is essential that the lower frame is placed squarely on the deck opening and in alignment with the fastener holes.

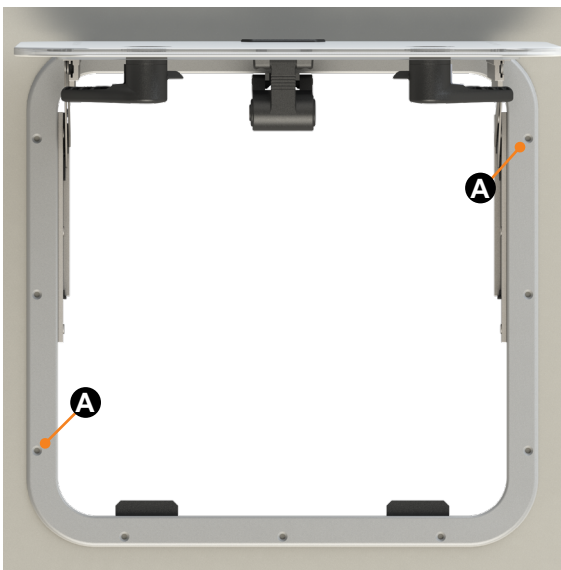


Fig.3

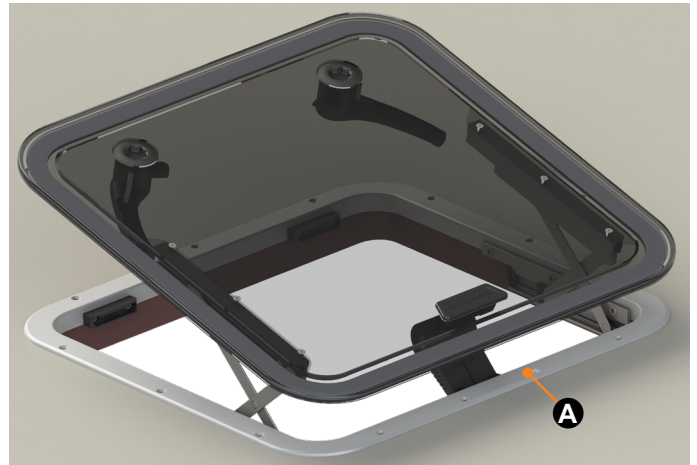


Fig.4

7. Install the remaining fasteners in all holes.

NOTE: For holes on the rear of the hatch (Fig. 4A), angle the lid forward to create clearance between the lid and lower frame, and use a socket wrench to secure the fasteners. Do not remove the lid when securing the hatch to the deck.

NOTE: For best results, place a small amount of silicone sealant into the fastener holes before securing the hatch.

8. Check for correct operation of the hatch lid.

Ultra Low Profile Hatch Fasteners

Deck Type	Fastener Type	Torque
Plywood	M5, 10UNC, 2BA 3/16" marine grade wood screws, or M5 through bolts into backer plates	3 Nm
Hard wood		2.75 Nm
Soft wood		2.25 Nm
GRP or steel alloy	M5 through bolts or machine screws into backer plates	3.0 Nm

Operation

⚠ CAUTION

TO PREVENT WATER INTRUSION, KEEP THE HATCH SEALED WHILE THE VESSEL IS UNDERWAY.

⚠ CAUTION

MOVING PARTS CAN PINCH, CRUSH OR CUT. KEEP CLEAR AND USE CAUTION.

1. To lock the hatch, close it completely and turn the locking levers inward (Fig. 5).

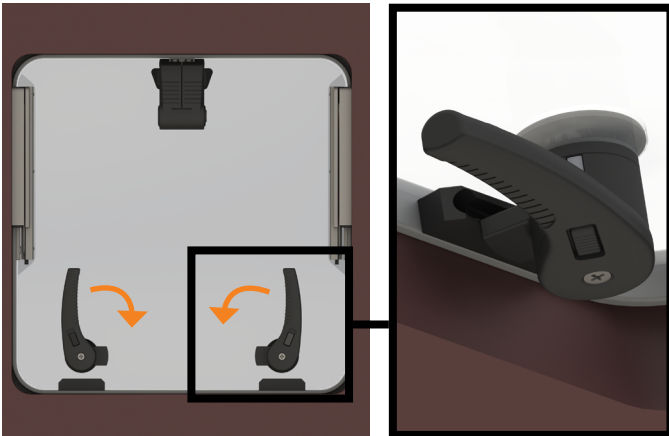


Fig.5

2. To lock the hatch while allowing air to vent, close the handles into the catch block center slots (Fig. 6).

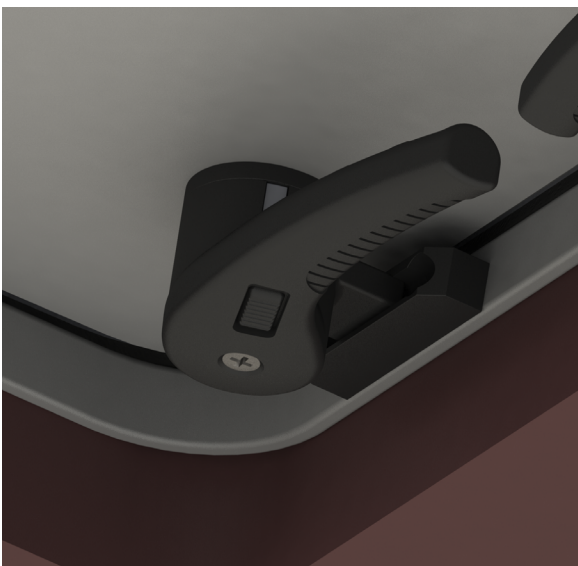


Fig.6

NOTE: Do not stand on or load the hatch lid while it is in the locked venting position, as this could damage the handles or locking blocks.

NOTE: When opening the hatch from the outside, lift from the center front edge of the lid. Do not lift the hatch from the corners or sides.

NOTE: Use the provided handles when opening the hatch from the inside. Do not press on the lid to open the hatch. On larger hatches with more than two handles, use the central handle to open the hatch.

Friction Lever

The Lewmar® Ultra Low Profile Hatch is equipped with a friction lever. This allows the hatch to stay in a set position. The friction lever is pre-set from the factory to give correct positioning with minimum opening force. It may be necessary to occasionally adjust the lever to correct the operation of the hatch.

Adjusting Friction Levers

Friction levers are adjusted by turning the socket head screw on the side of the lever assembly.

3. Using a 4mm Allen key, turn the adjusting screw (Fig. 7A) approximately $\frac{1}{8}$ of a turn clockwise to increase the friction lever's holding force.

NOTE: Do not over tighten the adjusting screw. On hatches with multiple lever units, adjust all levers to a similar tightness.

4. Open the hatch and check for correct operation. Re-adjust if necessary until the desired operation is achieved. Do not use lubricants on the friction lever, as this will adversely affect its function.



Fig.7

Maintenance

- Once per year, apply a light film of silicone-based lubricant to the upper and lower sliders of the scissor hinges (Fig. 8A and 8B), then cycle the hatch ten times and remove any excess buildup of lubricant.
- Clean the hatch with soap, water, and a soft cloth.
- Never use abrasive or solvent cleaners on the acrylic lid, as this may damage it.

Parts

External Handle Options

Lid assemblies are available with bi-square spindles (Fig. 9A), external handles (Fig. 9B), or with no external unlatching method (mushroom handles).

Emergency Exit Requirements

Ultra Low Profile hatches are intended primarily for light and ventilation. The following sizes of hatch are also suitable for emergency access or evacuation in accordance with ISO 9094 if they are equipped with external handles.

Suitable Sizes for Emergency Exit	
Lewmar	Bomar
54	995
60	1022
70	1039
	1080
	1086

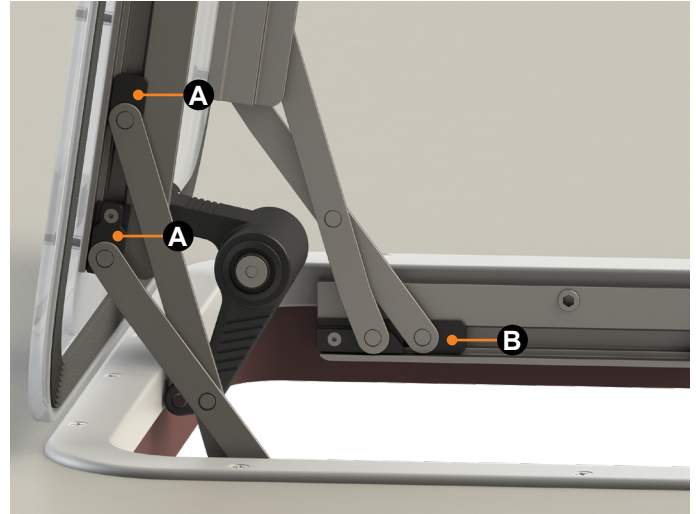


Fig. 8

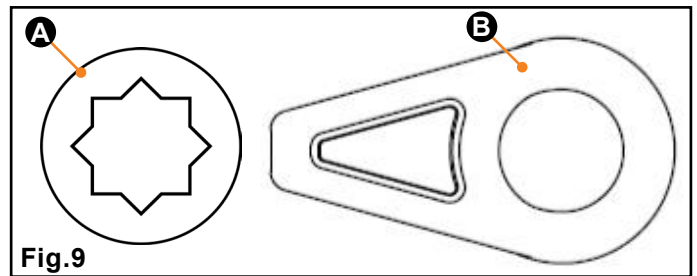


Fig. 9

Replacement Parts		
Description	Lippert Part #	Lewmar Part #
Right-hand Mushroom Handle Kit, 1 Piece	2024040315	362410991
Bi-square Handle Kit, 1 Pair	2024040316	362411991
External Handle Kit, 1 Pair	2024040317	362412991
Bi-square Handle Kit, 2 Pairs	2024040318	362413991
External Handle Kit, 2 Pairs	2024040319	362414991
Friction Lever Kit	2024040320	362415991
Hinge Assembly Kit, Silver, 1 Pair	2024040321	362416990
Hinge Assembly Kit, Black, 1 Pair	2024040322	362416991
Seal Material, 10 Meters	2024040324	3624179910
Seal Material, 5 Meters	2024040323	362417995

Ultra Low Profile Hatch Installation and Owner's Manual (For Aftermarket Applications)

Replacement Parts		
Description	Lippert Part #	Lewmar Part #
Seal Material, 50 Meters	2024040325	3624179950
Size 10 Hinge Assembly Kit, Silver, 1 Pair	2024040326	362418990
Size 10 Hinge Assembly Kit, Black, 1 Pair	2024040327	362418991
Lid Assembly: Size 10 w/ Mushroom Handles	2024040328	362419990
Lid Assembly: Size 20 w/Mushroom Handles	2024040329	362420990
Lid Assembly: Size 30 w/Mushroom Handles	2024040330	362421990
Lid Assembly: Size 40 W/Mushroom Handles	2024040331	362422990
Lid Assembly: Size 41 w/Mushroom Handles	2024040332	362423990
Lid Assembly: Size 44 w/Mushroom Handles	2024040333	362424990
Lid Assembly: Size 50 w/Mushroom Handles	2024040334	362425990
Lid Assembly: Size 54 w/Mushroom Handles	2024040335	362426990
Lid Assembly: Size 60 w/Mushroom Handles	2024040336	362427990
Lid Assembly: Size 70 w/Mushroom Handles	2024040337	362428990
Lid Assembly: Size 10 w/External Handles	2024040338	362429990
Lid Assembly: Size 20 w/External Handles	2024040339	362430990
Lid Assembly: Size 30 w/External Handles	2024040340	362431990
Lid Assembly: Size 40 w/External Handles	2024040341	362432990
Lid Assembly: Size 41 w/External Handles	2024040342	362433990
Lid Assembly: Size 44 w/External Handles	2024040343	362434990
Lid Assembly: Size 50 w/External Handles	2024040344	362435990
Lid Assembly: Size 54 w/External Handles	2024040345	362436990
Lid Assembly: Size 60 w/External Handles	2024040346	362437990
Lid Assembly: Size 70 w/External Handles	2024040347	362438990
Lid Assembly: Size 10 w/ Bi-square Handles	2024040743	362439990
Lid Assembly: Size 20 w/ Bi-square Handles	2024040744	362440990
Lid Assembly: Size 30 w/Bi-square Handles	2024040745	362441990
Lid Assembly: Size 40 w/Bi-square Handles	2024040746	362442990
Lid Assembly: Size 41 w/Bi-square Handles	2024040747	362443990
Lid Assembly: Size 44 w/Bi-square Handles	2024040748	362444990
Lid Assembly: Size 50 w/Bi-square Handles	2024040749	362445990
Lid Assembly: Size 54 w/Bi-square Handles	2024040750	362446990
Lid Assembly: Size 60 w/Bi-square Handles	2024040751	362447990
Lid Assembly: Size 70 w/Bi-square Handles	2024040752	362448990
Catch Block Kit	2024040753	362449991

Limited Warranty and Key Terms of Supply by Lewmar

Lewmar warrants that in normal private pleasure boat usage and with proper maintenance its products will conform with their specification for a period of three years from the date of purchase by the end user, subject to the conditions, limitations and exceptions listed below. Any product, which proves to be defective in normal usage during that three-year period, will be repaired or, at Lewmar's option, replaced by Lewmar.

A CONDITIONS AND LIMITATIONS

- i** Lewmar's liability shall be limited to the repair or replacement of any parts of the product which are defective in materials or workmanship.
- ii** Responsibility for the selection of products appropriate for the use intended by the Buyer shall rest solely with the Buyer and Lewmar accepts no responsibility for any such selection.
- iii** Lewmar shall not be liable in any way for Product failure, or any resulting loss or damage that arises from:
 - a.** use of a product in an application for which it was not designed or intended;
 - b.** corrosion, ultra violet degradation or wear and tear;
 - c.** a failure to service or maintain the product in accordance with Lewmar's recommendations;
 - d.** faulty or deficient installation of the product (unless conducted by Lewmar);
 - e.** any modification or alteration of the product;
 - f.** conditions that exceed the product's performance specifications or safe working loads.
- g.** Abuse
- iv** Product subject to a warranty claim must be returned to the Lewmar outlet that supplied the product for examination unless otherwise approved by Lewmar in writing.
- v** This warranty does not cover any incidental costs incurred for the investigation, removal, carriage, transport or installation of product.
- vi** Service by anyone other than authorized Lewmar representatives shall void this warranty unless it accords with Lewmar guidelines and standards of workmanship.

- vii** Lewmar's products are intended for use only in the marine environment. Buyers intending to use them for any other purpose should seek independent professional advice as to their suitability. Lewmar accepts no liability arising from such other use.

B EXCEPTIONS

Cover under this Warranty is limited to a period of one year from the date of purchase by the end user in the case of any of the following products or parts of products:

- Electric motors and associated electrical equipment
- Electronic controls
- Hydraulic pumps, valves and actuators
- Hatch & Portlight weather seals
- Products used in "Grand Prix" racing applications
- Products used in commercial or charter applications
- Anchor rode

C LIABILITY

- i** Lewmar's liability under this warranty shall be to the exclusion of all other warranties or liabilities (to the extent permitted by law). In particular (but without limitation):
 - a.** Lewmar shall not be liable for:
 - Any loss of anticipated turnover or profit or indirect, consequential or economic loss;
 - Damages, costs or expenses payable to any third party;
 - Any damage to yachts or equipment;
 - Death or personal Injury (unless caused by Lewmar's negligence).Some states and countries do not allow the exclusion or limitation of incidental or consequential damages, so the above limitation or exclusion may not apply to you
 - b.** Lewmar grants no other warranties regarding the fitness for purpose, use, nature or satisfactory quality of the products.
- ii** Where applicable law does not permit a statutory or implied warranty to be excluded, then such warranty, if permitted by that state or country's law, shall be limited to a period of one year from the date of purchase by the end user. Some states and countries do not allow limitations on how long an implied warranty lasts, so this limitation may not apply to you.

D PROCEDURE

Notice of a claim for service under this warranty shall be made promptly and in writing by the end user to the Lewmar outlet that supplied the product or to Lewmar Limited at Southmoor Lane, Havant, Hampshire PO9 1JJ, England.

E SEVERANCE CLAUSE

If any clause of this warranty is held by any court or other competent authority to be invalid or unenforceable in whole or in part, the validity of the remaining clauses of this warranty and the remainder of the clause in question shall not be affected.

F OTHER RIGHTS

This warranty gives you specific legal rights, and you may also have other legal rights, which vary from state to state and country to country. In the case of European States a Consumer customer (as defined nationally) has legal rights under the applicable national law governing the sale of Consumer Goods; this Warranty does not affect those rights.

G LAW

This warranty shall be governed by and read in accordance with the laws of England or the state or country in which the first end user is domiciled at the time of purchase of the product.

H DISPUTES

Any dispute arising under this warranty may, at the option of the end-user, be referred to alternative dispute resolution under the rules of the British Marine Federation or to the Courts of the State whose law shall govern the warranty of to the Courts of England and Wales.

The British Marine Federation may be contacted at:

Marine House
Thorpe Lee road,
Egham,
England
TW20 8BF



MARINE GROUP EUROPE

LEWMAR



For Product Support: Europe

Lewmar Havant Plant No. 404

T: +44 (0) 23 9247 1841

Email: techsupport@lewmar.com

For Product Support: United States

Lippert Customer Care Center

T: 432-LIPPERT (432-547-7378)

Email: customerservice@lci1.com

The contents of this manual are proprietary and copyright protected by Lippert. Lippert prohibits the copying or dissemination of portions of this manual unless prior written consent from an authorized Lippert representative has been provided. Any unauthorized use shall void any applicable warranty. The information contained in this manual is subject to change without notice and at the sole discretion of Lippert. Revised editions are available for free download from lippert.com.

Please recycle all obsolete materials.