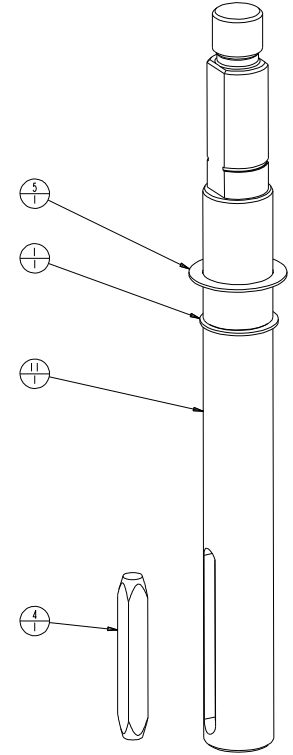
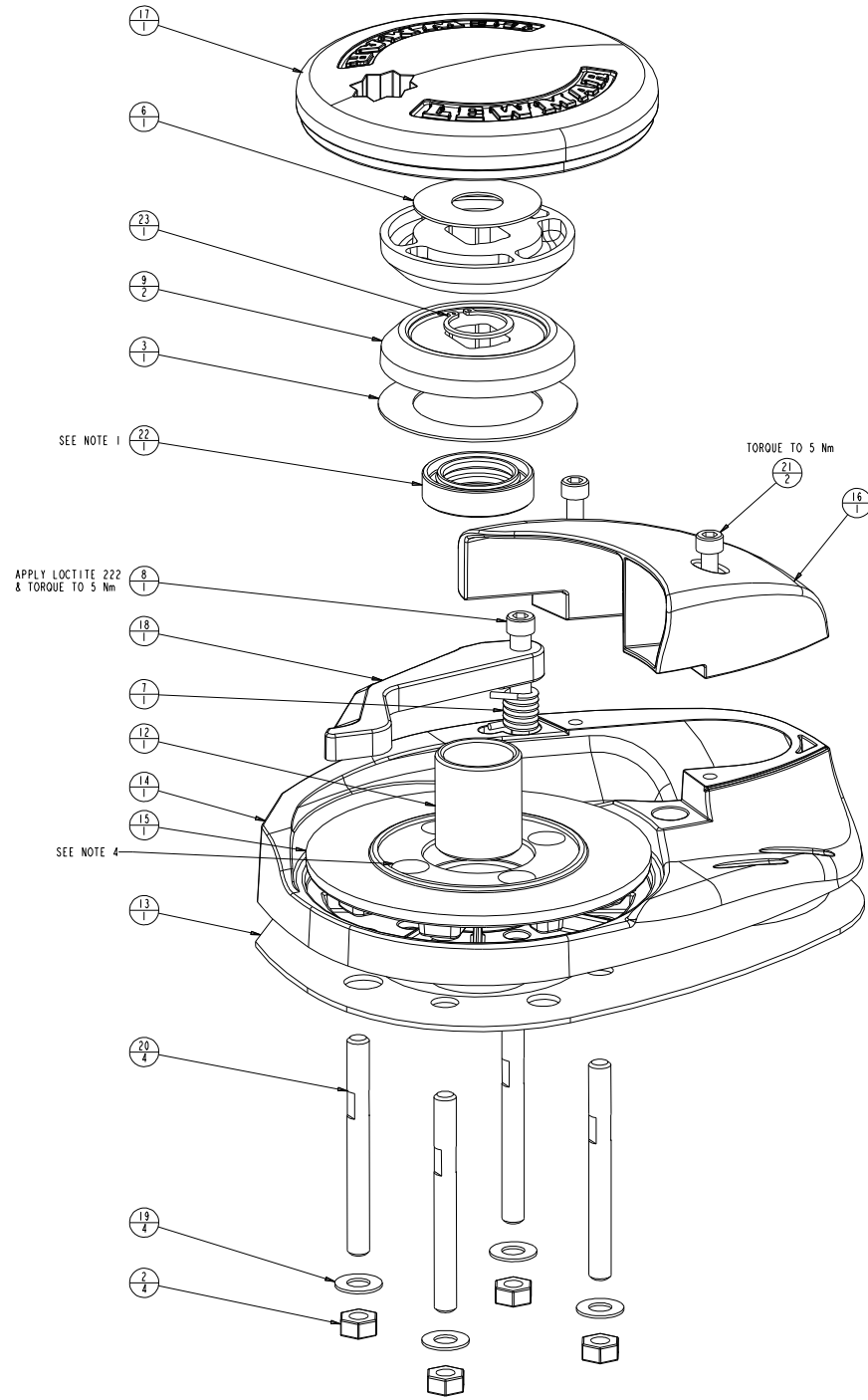


ISSUE	REVISION	MOD No.	DATE
C	SEE MOD NOTE	13126	01-Mar-11



NOT SHOWN ON DRAWING

ITEM	PART No.	DESCRIPTION	MATERIAL	QTY
27	B6314	CABLE TIE		1
26	65001175	WARNING LABEL		1
25	65001185	SERIAL No. LABEL		1
24	65001201	OWNERS MANUAL		1
23	82001477	CIRCLIP, D1400-0220-SS	STAINLESS	1
22	B2580	SEAL	NRTCS	1
21	B0827	SOCKET HD CAP SCREW	A2	2
20	66200339	V2/V3 STUD - METRIC	ST/ST 304	4
19	66200338	M8 & 5/16" WASHER	304 STAINLESS STEEL	4
18	66200278	V2 & V3 CONROL ARM (Mk 2) FINISHING	66100065	1
17	66200175	V2/3 TOP NUT	66100041	1
16	65001282	VI SPORT CHAIN PIPE COVER	PANLITE LN 1250-G	1
15	65001281	VI SPORT BASE HUB (MACHINED)	63001281	1
14	65001280	V SPORT BASE	PANLITE LN-1250G	1
13	65001278	VI BASE MAT - SMALL - BLACK	2 mm BLACK NEOPRENE	1
12	65001210	BUSH	SINTERED BRONZE - B50	1
11	65001100	MAINSHAFT, GYPSY ONLY	ST/ST 304 S15	1
9	65001052	CONE, MACHINING	63001052	2
8	65000544	SHOULDER SCREW	304 ST/ST	1
7	65000542	SPRING	ST/ST 304 S15	1
6	65000262	WASHER	DELRIN	1
5	65000259	WASHER	DELRIN	1
4	65000177	DRIVE KEY	BRASS C2121	1
3	65000169	RUBBING WASHER	DELRIN	1
2	445-026	M8 NUT	304 STAINLESS STEEL	4
1	445-019	CIRCLIP	ST/ST	1

- NOTES:
1. ENSURE TEXT ON ITEM 22, SEAL, IS FACING OUTWARDS.
 2. LIGHTLY GREASE ALL MOVING PARTS ON ASSEMBLY.
 3. LIGHTLY GREASE ALL MOVING PARTS ON ASSEMBLY.
 4. FILL 4 OFF HOLES IN ITEM 15, HUB, USING SILICON SEALANT. FINISH FLUSH TO UNDERFLUSH WITH TOP SURFACE.
 5. ENSURE THAT ALL SURFACES ARE CLEAN AND BLEMISH FREE AFTER ASSY.
 6. ATTACH SERIAL NUMBER LABEL 65001185 TO BASE.
 7. ATTACH LABEL 65001175 TO CONTROL ARM USING CABLE TIE.
 8. BOX NOT SHOWN ON BOM TABLE.
 9. APPROX. WEIGHT = 5.5 kg (INCL. GYPSY).

PART No. 69000475

ORIGINAL SIZE A1
 0 10 20 30 40 50
 REFERENCE SCALE IN MM
 Unauthorised use, manufacture or reproduction
 in whole or in part is prohibited

MATERIAL SEE BOM	ALL DIMENSIONS IN mm	DRN MD	TITLE V2/3 SPORT GO DECK UNIT (NON-F/FIT)
FINISH CLEAN	TOLERANCES (UNLESS STATED) LINEAR ± ANGULAR ±	DATE 25-May-10 SCALE 1:1	PART No. 69000475
MODEL NAME: 69000475		LEWMAR	